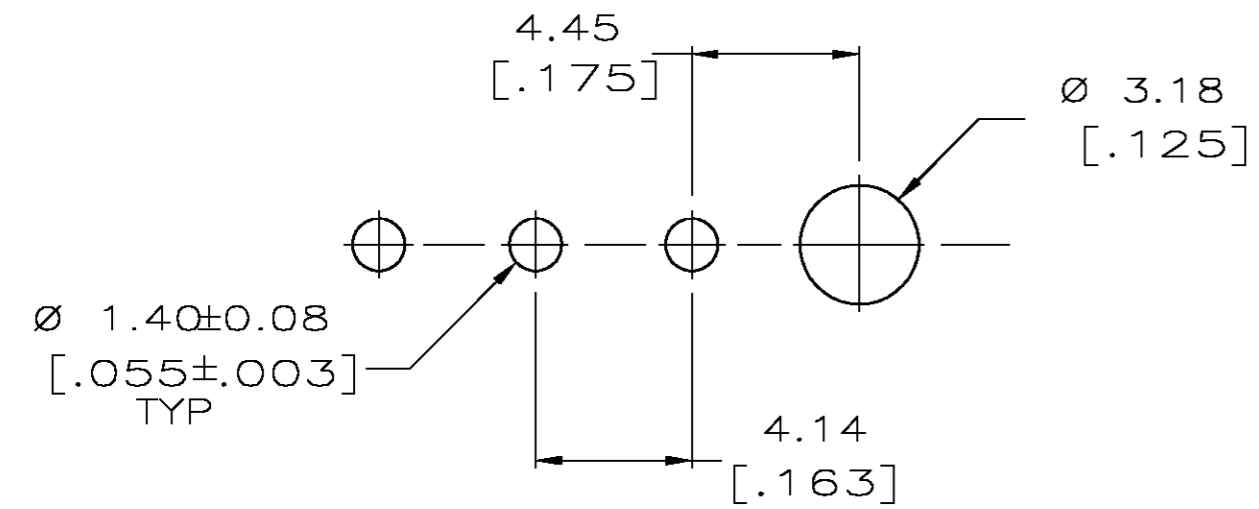
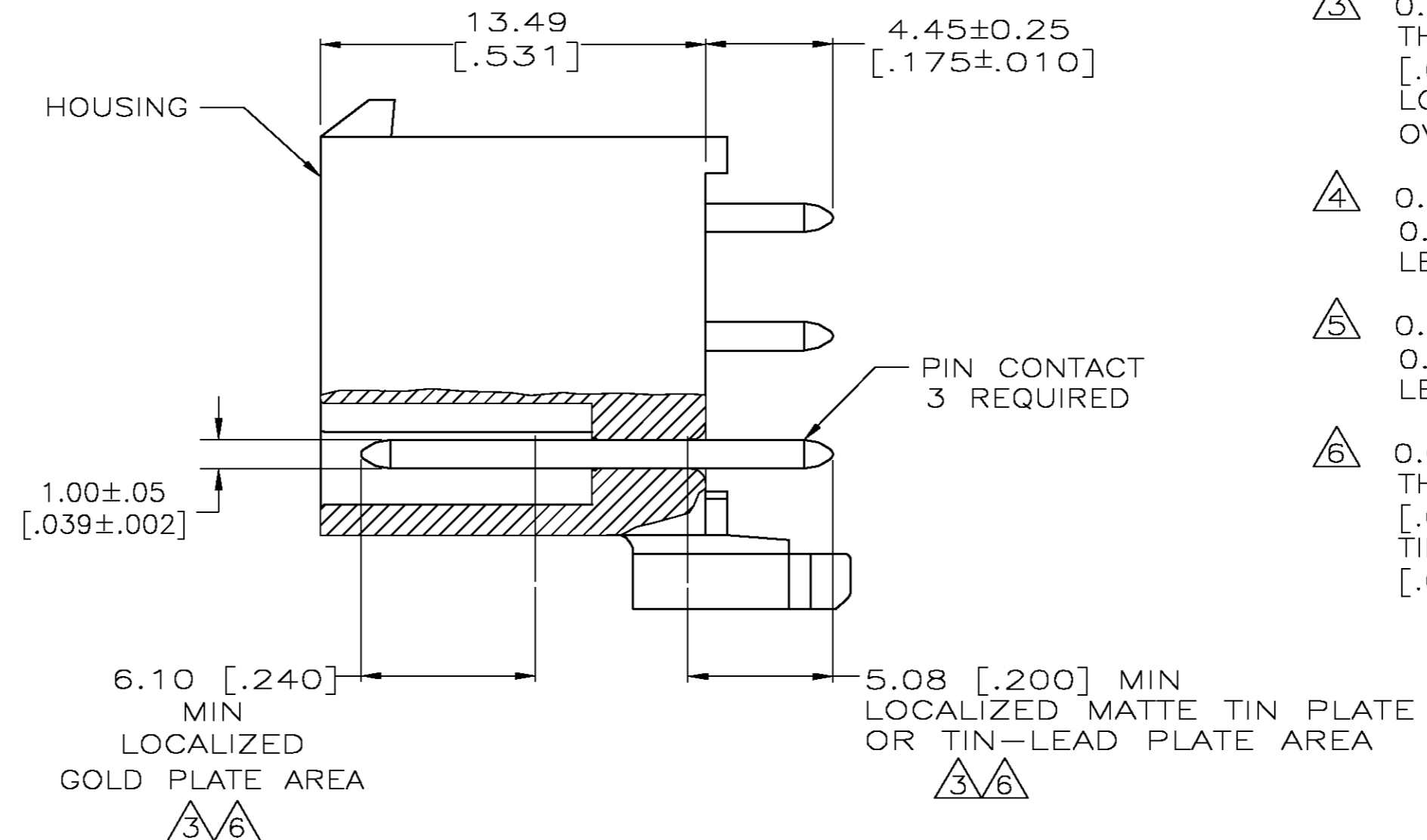
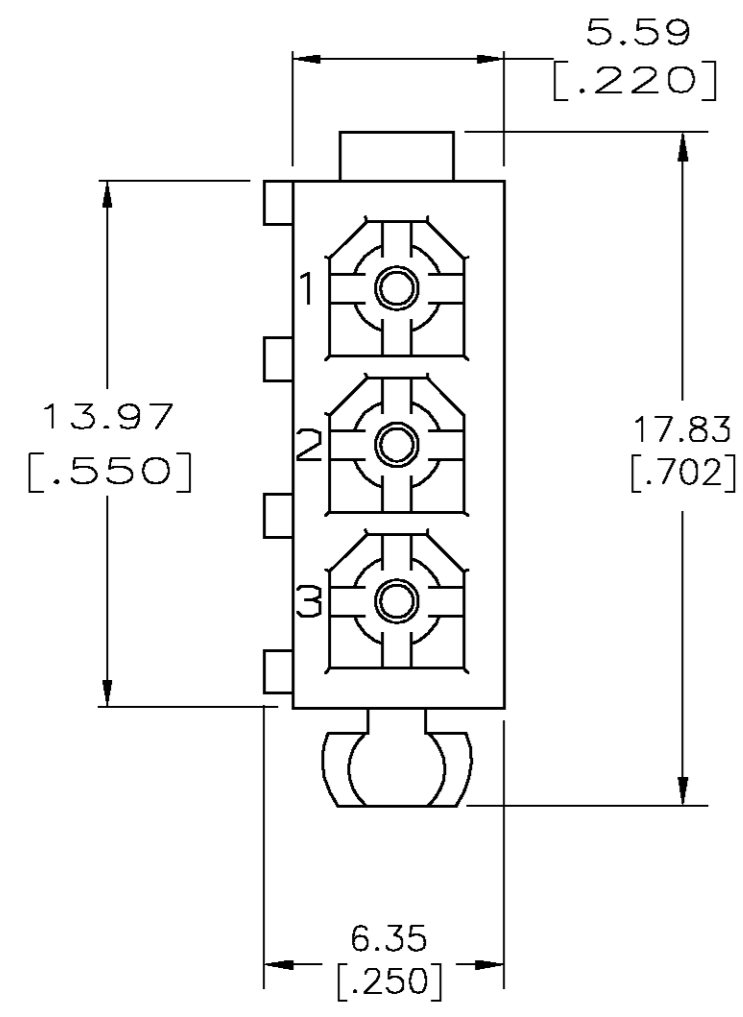


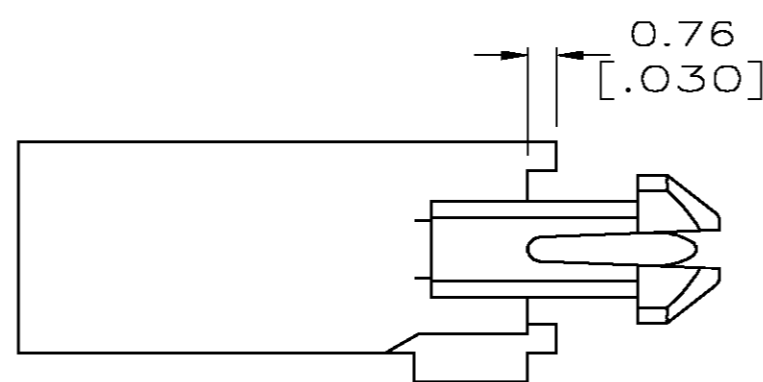
THIS DRAWING IS UNPUBLISHED. RELEASED FOR PUBLICATION
 © COPYRIGHT BY TYCO ELECTRONICS CORPORATION. ALL RIGHTS RESERVED.

| LOC | DIST | REVISIONS | | | | | |
|-----|------|-----------|-----|--------------------------|--------|------|----|
| | | P | LTR | DATE | DWN | APVD | |
| CM | 0 | F | | REVISED PER 0G3B-0211-05 | 6/8/05 | SS | RJ |

- PINS TO COMPLY WITH AMP SOLDERABILITY SPEC. 109-11-3.
- DIMENSIONS SHOWN IN BRACKETS ARE IN INCHES.
- 0.00076 [.000030] MIN GOLD PLATE IN THE LOCALIZED GOLD PLATE AREA, 0.00381 [.000150] MATTE TIN LEAD IN THE LOCALIZED TIN LEAD PLATE AREA, BOTH OVER 0.00127 [.000050] MIN NICKEL.
- 0.00381 [.000150] MATTE TIN LEAD OVER 0.00127 [.000050] MIN NICKEL ENTIRE LENGTH OF PIN.
- 0.00381 [.000150] MATTE TIN OVER 0.00127 [.000050] MIN NICKEL ENTIRE LENGTH OF PIN.
- 0.00076 [.000030] MIN GOLD PLATE IN THE LOCALIZED GOLD PLATE AREA, 0.00381 [.000150] MATTE TIN IN THE LOCALIZED TIN PLATE AREA, BOTH OVER 0.00127 [.000050] MIN NICKEL.



RECOMMENDED LAYOUT FOR 1.57 [.062] THICK BOARD
 TOLERANCES NON-ACCUMULATIVE



| BRASS | 6 | NYLON, UL94V-0 | WHITE | 1-770873-1 |
|----------|--------|----------------|-------|------------|
| BRASS | 5 | NYLON, UL94V-0 | WHITE | 1-770873-0 |
| BRASS | 3 | NYLON, UL94V-0 | WHITE | 770873-2 |
| BRASS | 4 | NYLON, UL94V-0 | WHITE | 770873-1 |
| MATERIAL | FINISH | MATERIAL | COLOR | PART NO. |

THIS DRAWING IS A CONTROLLED DOCUMENT.

| | | | |
|------------------|-------------|-----------|---|
| DWN | S CARPENTER | OBJUN05 | Tyco Electronics Corporation Harrisburg, Pa 17105-3608 |
| CHK | R JONES | 29JUL2003 | |
| APVD | R JONES | 29JUL2003 | |
| PRODUCT SPEC | | | |
| APPLICATION SPEC | | | NAME |
| WEIGHT | | | SIZE |
| CUSTOMER DRAWING | | | CAGE CODE |
| | | | DRAWING NO |
| | | | RESTRICTED TO |
| | | | SCALE |
| | | | SHEET |
| | | | OF |
| | | | REV |
| | | | F |